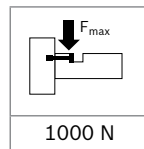
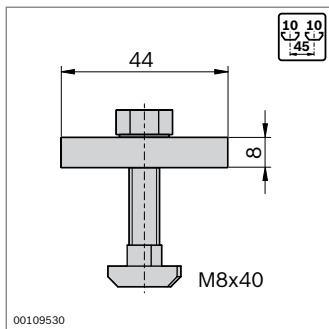


QV mounting kit



- ▶ For the right-angled connecting of two profiles
- ▶ Very good accessibility for tools during assembly
- ▶ Profile finishing: Standard milling F1
- ▶ Bending moments must be avoided



QV mounting kit		No.
Material:	steel; galvanized	10 3 842 146 972



No.

10 **3 842 146 972**

Material: steel; galvanized